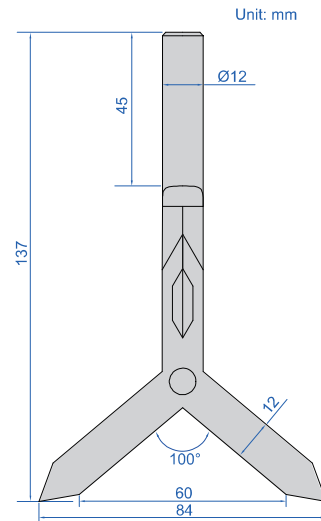


# CYLINDER CENTER FINDER



**6813-1A**



6813-1A

- Can quickly locate workpieces
- Hardness HRC58-62

Code	Accuracy	Range of shafts (Ød)
6813-1A	±0.15mm	5-90mm

## applications

